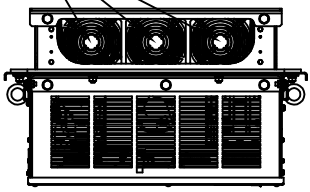
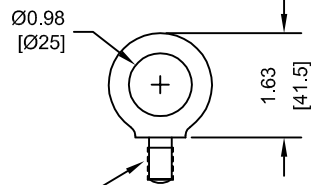


(3) EXTERNAL COOLING FANS



LIFTING AND EYEBOLT DETAILS

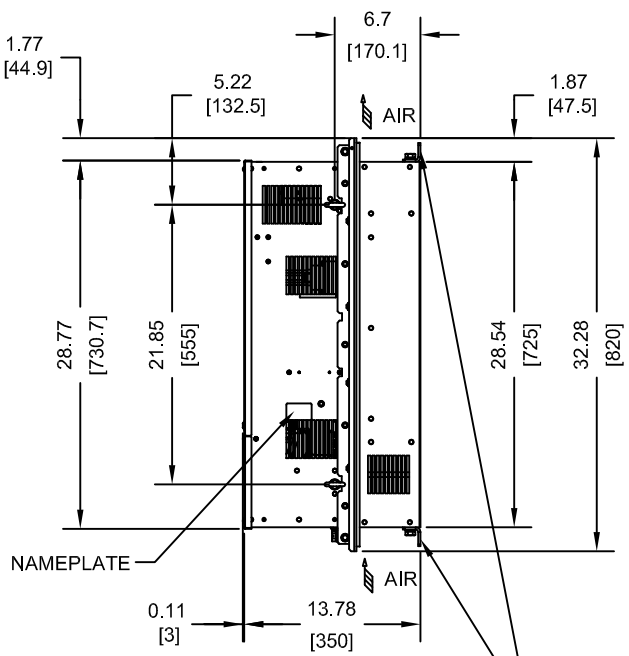
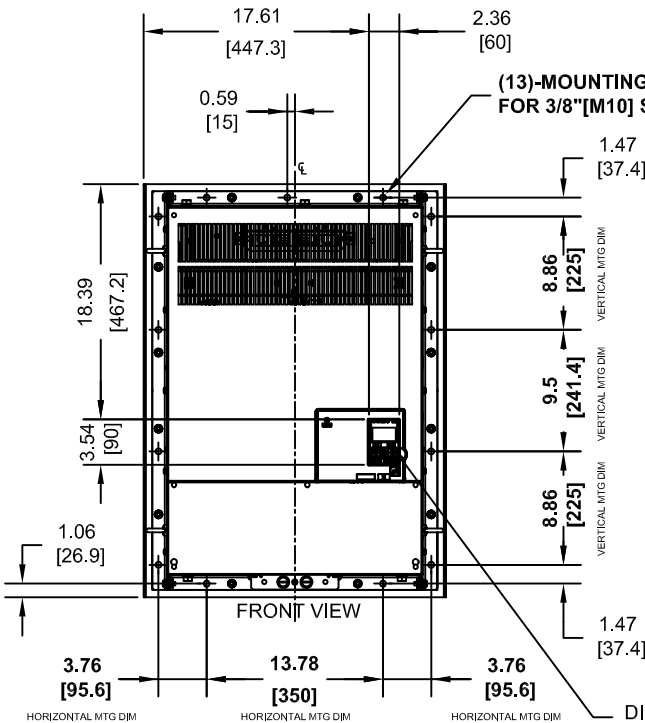


NOTE:
MAXIMUM SURROUNDING AIR TEMPERATURE RATING IS 122F(50C).

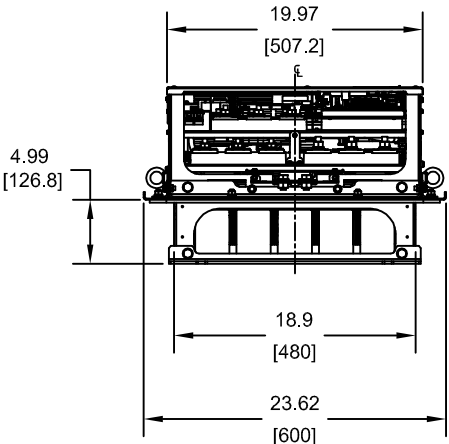
M10 THREAD

NOTE:
SPREADER BAR REQUIRED TO AVOID DAMAGE DURING LIFTING

(13)-MOUNTING HOLES FOR 3/8"[M10] SCREWS



(2)-MOUNTING BRACKETS USED DURING TRANSPORT ONLY REMOVE BEFORE INSTALLING



MODEL # CIMR-AU	INPUT TYPE	VOLTAGE 3-PHASE (VAC)	OUTPUT CURRENT (A)		WEIGHT LBS (Kg)	HEAT LOSS (W)					
						ND (Fc=2kHz)			HD (Fc=SEE NOTES)		
			ND	HD		INT	EXT	TOT	INT	EXT	TOT
2A0360UXX	6 PULSE	200/240	360	346	238 (108)	894	2698	3592	783	2564	3347
2A0415UXX	6 PULSE		415	415	251 (114)	954	2672	3626	954	2672	3626
4A0250UXX	6 PULSE	380/480	250	216	233 (106)	803	2379	3182	715	2360	3075
4A0296UXX	6 PULSE		296	260	246 (112)	905	2448	3353	787	2391	3178
4A0362UXX	6 PULSE		362	304	257 (117)	1130	3168	4298	985	3075	4060
4T0250UXX	12 PULSE		250	216	198 (90)	729	2305	3034	663	2308	2971
4T0296UXX	12 PULSE		296	260	209 (95)	772	2308	3080	694	2295	2989
4T0362UXX	12 PULSE		362	304	214 (97)	874	3168	4042	788	3075	3863
5A0192UXX	6 PULSE	500/600	192	172	257 (117)	769	2420	3189	648	2114	2762
5A0242UXX	6 PULSE		242	200	257 (117)	1131	3100	4231	896	2526	3422

NOTES:
XX DENOTES AA-ZZ

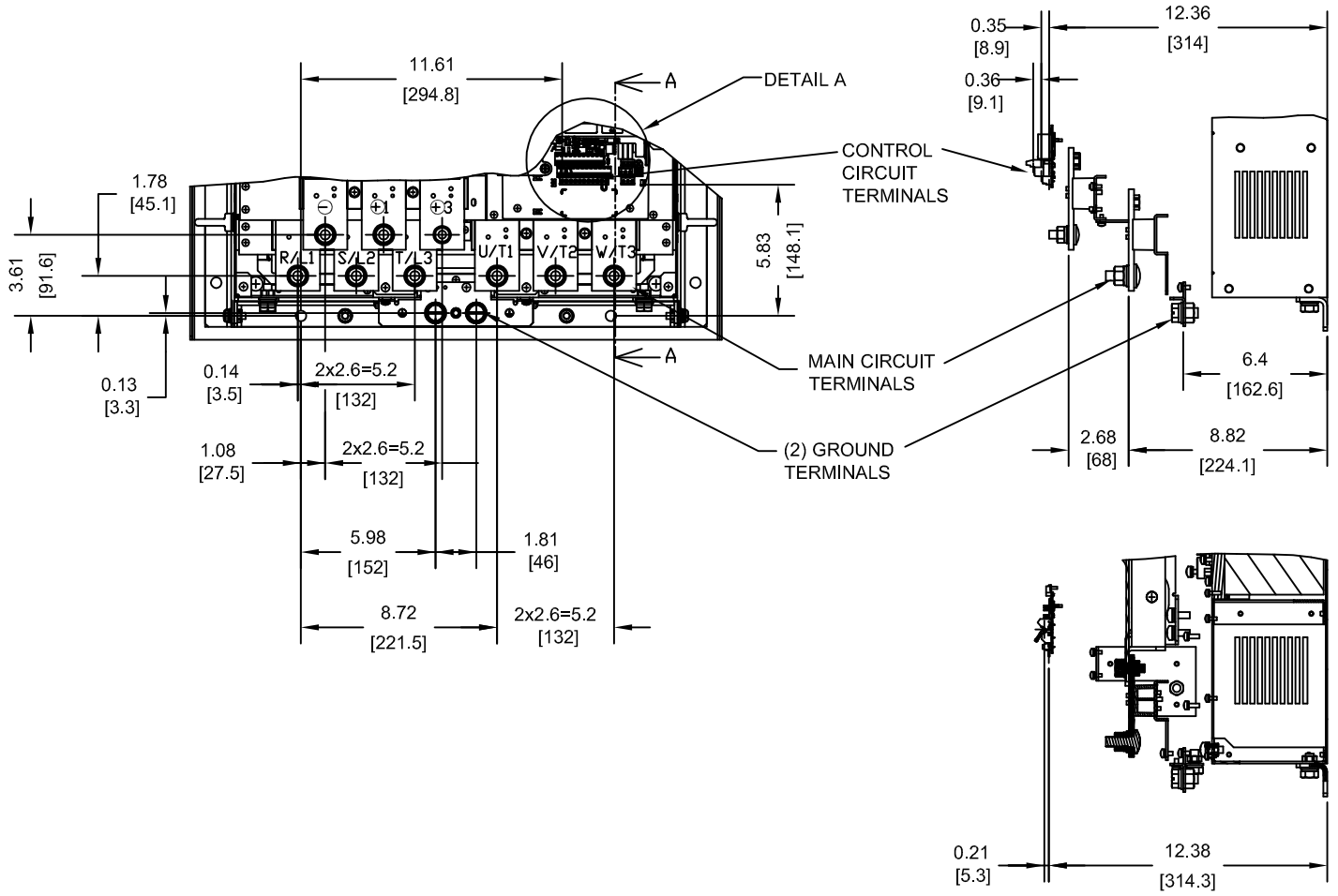
INT=INTERNAL COMPONENTS
EXT=EXTERNAL HEATSINK
TOT=TOTAL

FOR HD VALUES, CARRIER FREQ. IS SET TO:
Fc=5kHz FOR MODELS 2A0360U, 4A0250U, 4A0296U, 4T0250U, 4T0296U AND 4T0362U
Fc=2kHz FOR MODELS 2A0415U, 4A0362U, 5A0192U AND 5A0242U

FOR ADDITIONAL DETAILS AND SPECIFICATIONS, CONSULT MANUAL

TOLERANCES / REFERENCES:		DRAWN:	J. MATTAS	DATE:	1-12-12	TITLE:	A1000 DIMENSION DRAWING				
		CHECKED:	J. PIOTROWSKI	DATE:	2-10-12	FRAME SIZE 12					
		TECH:	J. BORJA	DATE:	1-26-12	DESIGNED FOR IP54/TYPE 12 ENCLOSURES					
		APPROVED:	J. CAIRO	DATE:	4-7-12	2A0360U-0415U, 4A0250U-0362U, 4T0250U-0362U, 5A0192U-0242U					
UNITS:	SCALE:	ORIGINAL DESIGN:	-	DATE:	-	SIZE:	A	REVISION:	R01	PAGE:	1 of 5
IN [mm]	1:15	WITHOUT THE EXPRESS WRITTEN CONSENT OF YASKAWA AMERICA, INC.				DRAWING #:					
						DD.A1K.FR12.FLNG					

TERMINAL AND WIRING DETAILS (SCALE 1:8)
 AU2A0360U, AU2A0415U, AU4A0296U, AU4A0362U, AU5A0192U & AU5A0242U ONLY

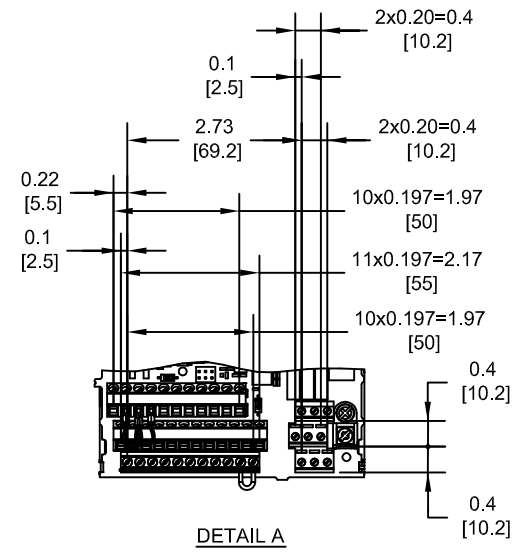


SECTION A-A

TERMINAL AND WIRE SPECIFICATIONS FOR
 MAIN CIRCUIT AND GROUND

MODEL # CIMR-AU	TERMINAL SYMBOL	TERMINAL SCREW	CLAMPING TORQUE lb.in.(N.m.)
2A0360U	R/L1, S/L2, T/L3	M12	283.2 TO 354.0 (32 TO 40)
2A0415U	U/T1, V/T2, W/T3		
4A0296U	⊖, ⊕1		
4A0362U	⊕3	M10	159.3 TO 203.6 (18 TO 23)
5A0192U	⊕3	M12	283.2 TO 354.0 (32 TO 40)
5A0242U	⊕	M12	283.2 TO 354.0 (32 TO 40)

NOTE: REFER TO APPLICABLE CODES FOR PROPER WIRE TYPE AND SIZE

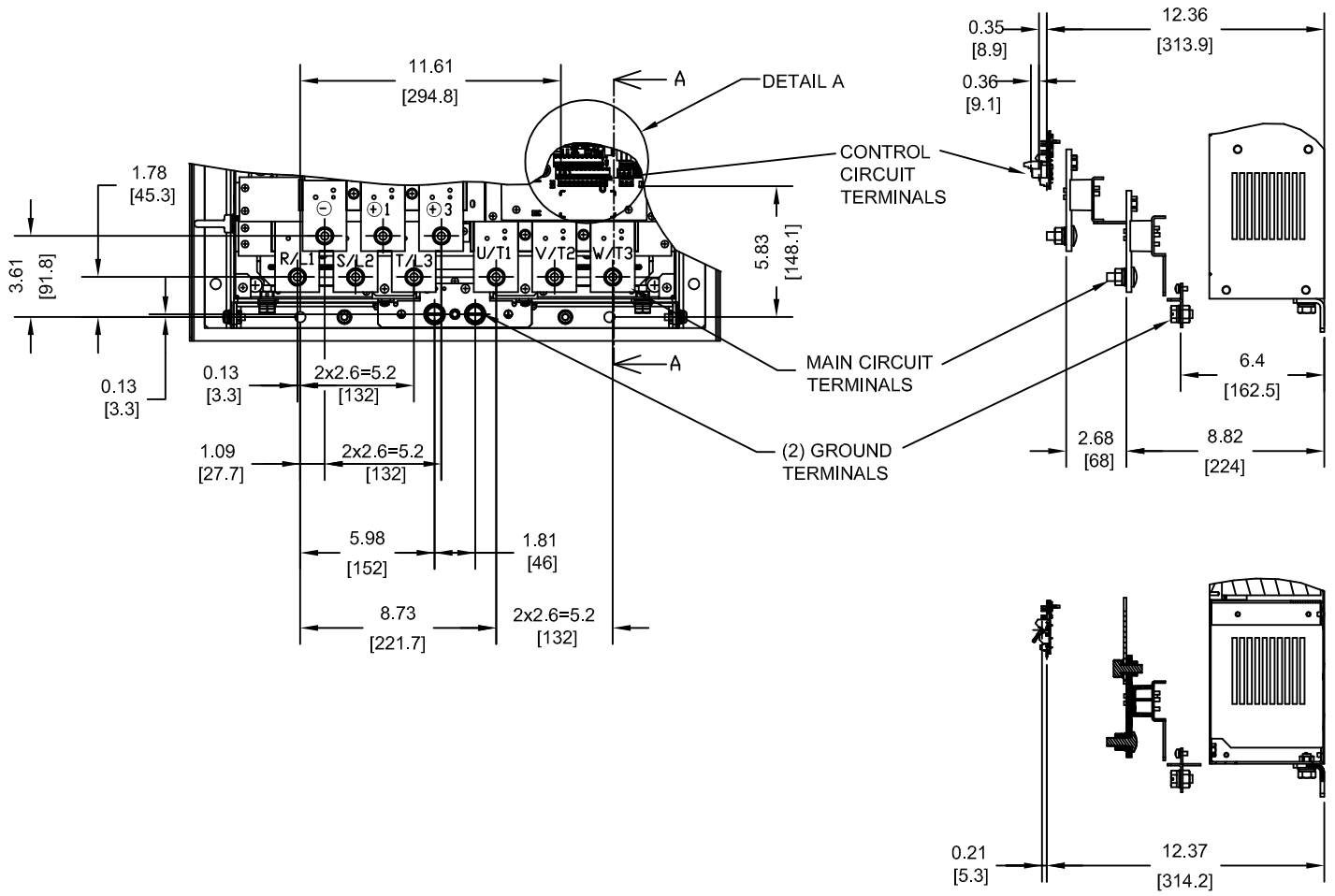


DETAIL A

FOR ADDITIONAL DETAILS AND SPECIFICATIONS, CONSULT MANUAL

TOLERANCES / REFERENCES:			DRAWN: J. MATTAS CHECKED: J. PIOTROWSKI TECH: J. BORJA APPROVED: J. CAIRO ORIGINAL DESIGN: -	DATE: 1-12-12 DATE: 2-10-12 DATE: 1-26-12 DATE: 4-7-12 DATE: -	TITLE: A1000 DIMENSION DRAWING FRAME SIZE 12 DESIGNED FOR IP54/TYPE 12 ENCLOSURES 2A0360U-0415U, 4A0250U-0362U, 4T0250U-0362U, 5A0192U-0242U SIZE: A REVISION: R01 DRAWING #: DD.A1K.FR12.FLNG
UNITS: IN [mm]	SCALE: BY VIEW		THIS DOCUMENT AND INFORMATION CONTAINED IN IT ARE CONFIDENTIAL, AND CANNOT BE COPIED OR DISCLOSED IN WHOLE OR IN PART WITHOUT THE EXPRESS WRITTEN CONSENT OF YASKAWA AMERICA, INC.	DATE: 1-12-12 DATE: 2-10-12 DATE: 1-26-12 DATE: 4-7-12 DATE: -	PAGE: 2 of 5

TERMINAL AND WIRING DETAILS (SCALE 1:8)
AU4A0250U ONLY

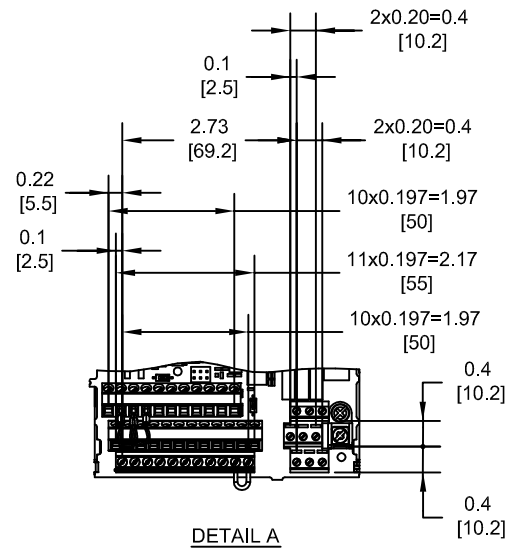


SECTION A-A

TERMINAL AND WIRE SPECIFICATIONS FOR
 MAIN CIRCUIT AND GROUND

MODEL # CIMR-AU	TERMINAL SYMBOL	TERMINAL SCREW	CLAMPING TORQUE lb.in.(N.m.)
4A0250U	R/L1, S/L2, T/L3	M10	159.3 TO 203.6 (18 TO 23)
	U/T1, V/T2, W/T3		
	⊖, ⊕1	M10	
	⊕3		
	⊕	M10	

NOTE: REFER TO APPLICABLE CODES FOR PROPER WIRE TYPE AND SIZE

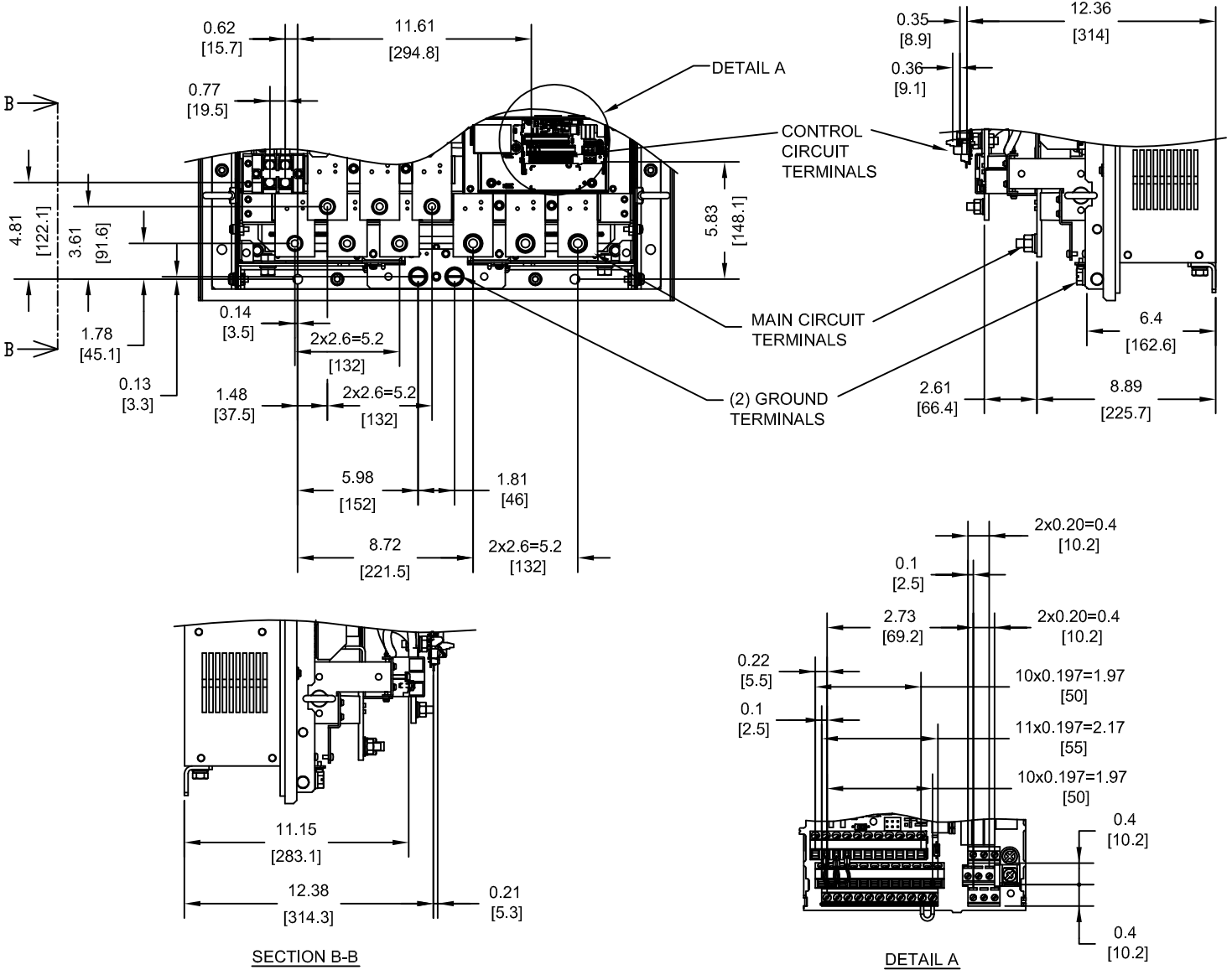


DETAIL A

FOR ADDITIONAL DETAILS AND SPECIFICATIONS, CONSULT MANUAL

TOLERANCES / REFERENCES:			DRAWN: J. MATTAS CHECKED: J. PIOTROWSKI TECH: J. BORJA APPROVED: J. CAIRO ORIGINAL DESIGN: -	DATE: 1-12-12 DATE: 2-10-12 DATE: 1-26-12 DATE: 4-7-12 DATE: -	TITLE: A1000 DIMENSION DRAWING FRAME SIZE 12 DESIGNED FOR IP54/TYPE 12 ENCLOSURES 2A0360U-0415U, 4A0250U-0362U, 4T0250U-0362U, 5A0192U-0242U SIZE: A REVISION: R01 DRAWING #: DD.A1K.FR12.FLNG
UNITS: IN[mm]	SCALE: BY VIEW		THIS DOCUMENT AND INFORMATION CONTAINED IN IT ARE CONFIDENTIAL, AND CANNOT BE COPIED OR DISCLOSED IN WHOLE OR IN PART WITHOUT THE EXPRESS WRITTEN CONSENT OF YASKAWA AMERICA, INC.	DATE: 1-12-12 DATE: 2-10-12 DATE: 1-26-12 DATE: 4-7-12 DATE: -	PAGE 3 of 5

TERMINAL AND WIRING DETAILS (SCALE 1:8)
 AU4T0250U, AU4T0296U & AU4T0362U ONLY



TERMINAL AND WIRE SPECIFICATIONS FOR
 MAIN CIRCUIT AND GROUND

MODEL # CIMR-AU	TERMINAL SYMBOL	TERMINAL SCREW	CLAMPING TORQUE lb.in.(N.m.)	WIRE RANGE AWG(mm ²)
4T0250U	R/L1, S/L2, T/L3	M10	159 TO 204 (18 TO 23)	SEE NOTE
	R1/L11, S1/L21, T1/L31			
	U/T1, V/T2, W/T3			
	⊖, ⊕3	M6	22.1 TO 26.6 (2.5 TO 3.0)	22-1/0 (0.3-53.5)
4T0296U 4T0362U	R/L1, S/L2, T/L3	M10	159 TO 204 (18 TO 23)	SEE NOTE
	R1/L11, S1/L21, T1/L31			
	U/T1, V/T2, W/T3			
	⊖, ⊕3	M6	22.1 TO 26.6 (2.5 TO 3.0)	22-1/0 (0.3-53.5)
	⊕	M12	283.2 TO 354.0 (32 TO 40)	SEE NOTE

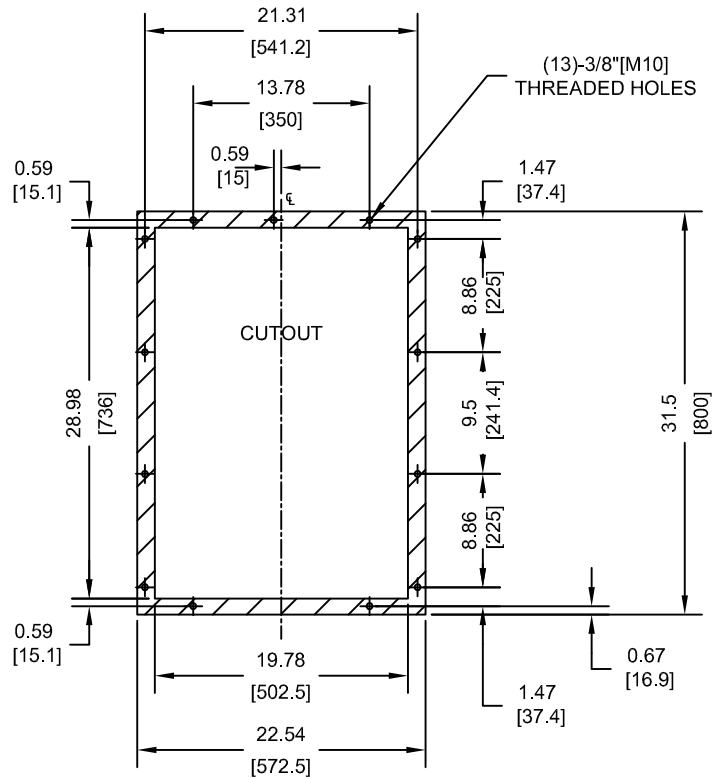
NOTE: REFER TO APPLICABLE CODES FOR PROPER WIRE TYPE AND SIZE

FOR ADDITIONAL DETAILS AND SPECIFICATIONS, CONSULT MANUAL

TOLERANCES / REFERENCES:		DRAWN:	J. MATTAS	DATE:	1-12-12	TITLE:		A1000 DIMENSION DRAWING					
		CHECKED:	J. PIOTROWSKI	DATE:	2-10-12	FRAME SIZE 12		DESIGNED FOR IP54/TYPE 12 ENCLOSURES					
		TECH:	J. BORJA	DATE:	1-26-12	2A0360U-0415U, 4A0250U-0362U, 4T0250U-0362U, 5A0192U-0242U		SIZE:	A	REVISION:	R01	PAGE:	4 of 5
		APPROVED:	J. CAIRO	DATE:	4-7-12	DRAWING #:		DD.A1K.FR12.FLNG					
UNITS:	IN[mm]	SCALE:	BY VIEW	ORIGINAL DESIGN:	-	DATE:	-						

THIS DOCUMENT AND INFORMATION CONTAINED
 IN IT ARE CONFIDENTIAL, AND CANNOT BE
 COPIED OR DISCLOSED IN WHOLE OR IN PART
 WITHOUT THE EXPRESS WRITTEN CONSENT
 OF YASKAWA AMERICA, INC.


PANEL CUTOUT FOR EXTERNAL HEATSINK MOUNTING CONFIGURATION (SCALE 1:15)



NOTES:

1. CUTOUT TOLERANCES:
+/- 0.02IN (0.5MM)
2. EXPOSED HEATSINK DEPTH
D=4.99" MINUS PANEL THICKNESS
3. MIN. RECOMMENDED PANEL
THICKNESS: 10 GA

FOR ADDITIONAL DETAILS AND SPECIFICATIONS, CONSULT MANUAL

TOLERANCES / REFERENCES:		 THIS DOCUMENT AND INFORMATION CONTAINED IN IT ARE CONFIDENTIAL, AND CANNOT BE COPIED OR DISCLOSED IN WHOLE OR IN PART WITHOUT THE EXPRESS WRITTEN CONSENT OF YASKAWA AMERICA, INC.	DRAWN: J. MATTAS DATE: 1-12-12	DATE: 1-12-12 TITLE: A1000 DIMENSION DRAWING
			CHECKED: J. PIOTROWSKI DATE: 2-10-12	DATE: 2-10-12 FRAME SIZE 12 DESIGNED FOR IP54/TYPE 12 ENCLOSURES
		TECH: J. BORJA DATE: 1-26-12	2A0360U-0415U, 4A0250U-0362U, 4T0250U-0362U, 5A0192U-0242U	
		APPROVED: J. CAIRO DATE: 4-7-12	DATE: 4-7-12 SIZE: A REVISION: R01 PAGE: 5 of 5	
UNITS: IN [mm]	SCALE: BY VIEW	ORIGINAL DESIGN: -	DATE: -	DRAWING #: DD.A1K.FR12.FLNG